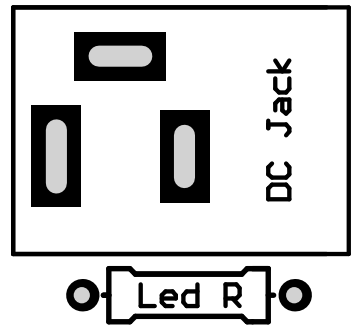
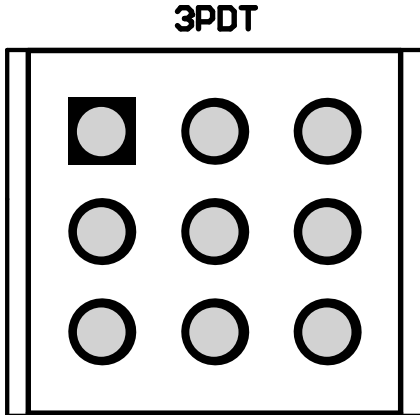
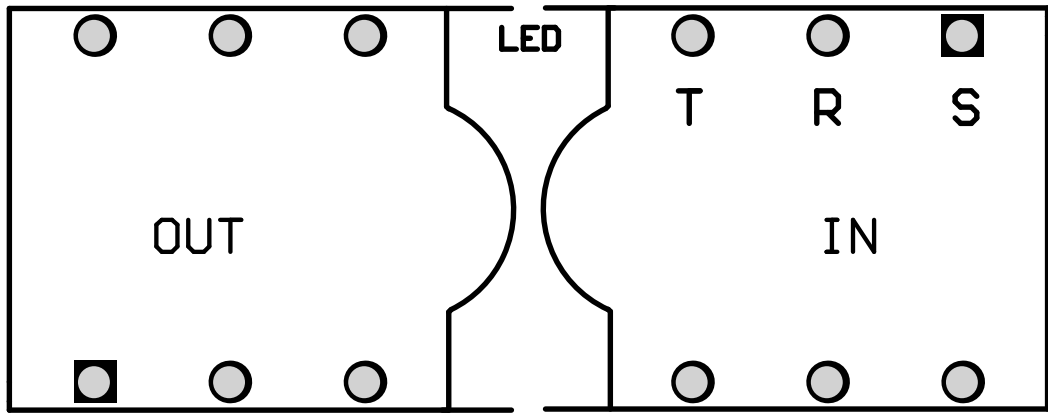
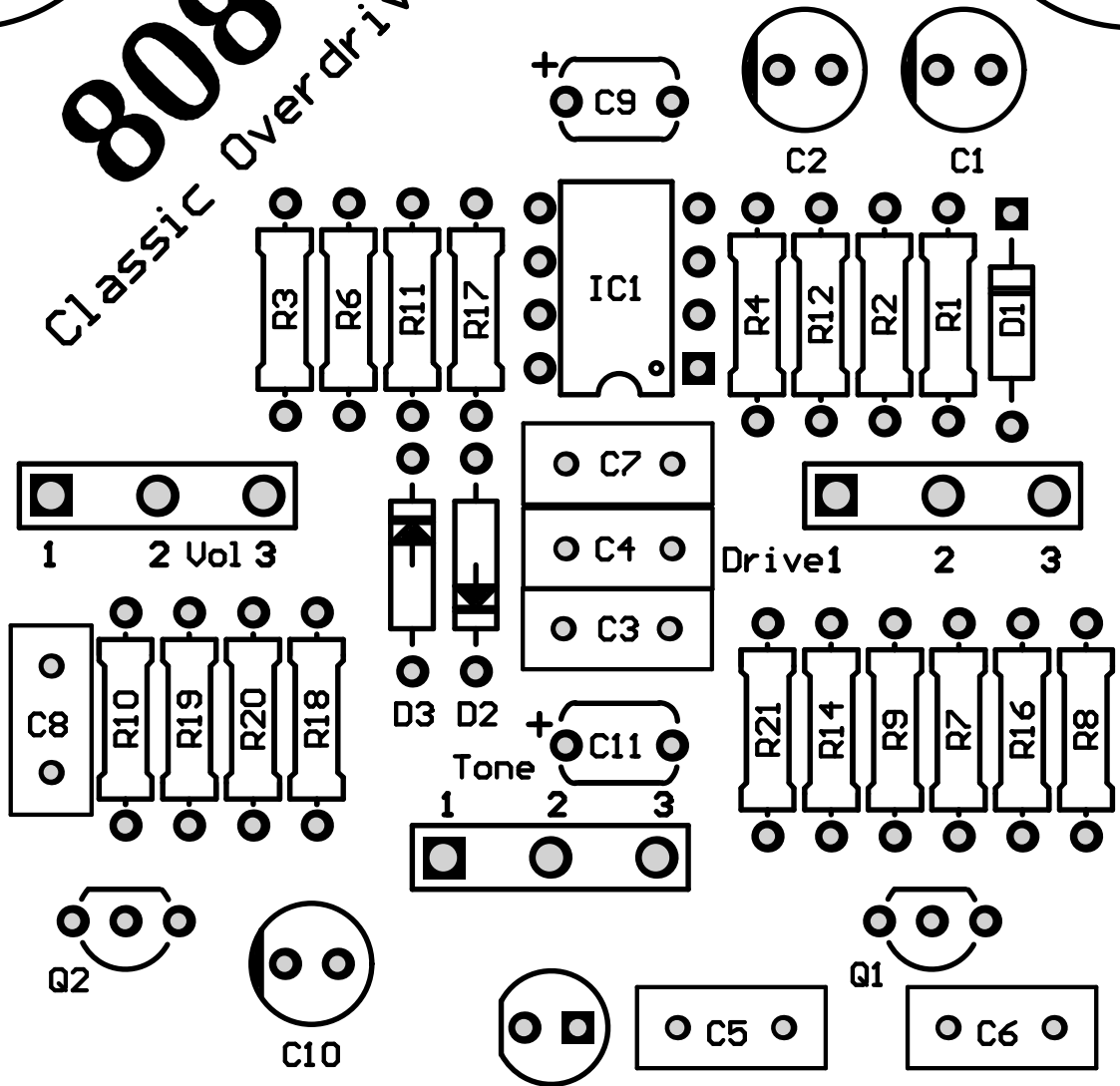


808

Classic Overdrive



Designator	Comment	Description	Quantity
SW1	Footswitch	SWITCH 3PDT	1
R18	100R	Resistor	1
R14	1m	Resistor	1
R21	220R	Resistor	1
R4	51K	Resistor	1
Led R, R3	4.7k	Resistor	2
R7, R10	510K	Resistor	2
R9, R11, R12, R17	1K	Resistor	4
R1, R2, R6, R8, R16, R19, R20	10k	Resistor	7
Drive	A500K	Potentiometer	1
Vol	B100K	Potentiometer	1
Tone	B20k	Potentiometer	1
C9, C11	220n	Polarized Tantalum Capacitor	2
C10	10uF	Polarized Capacitor (Radial)	1
C1, C2	100uF	Polarized Capacitor (Radial)	2
Q1, Q2	2N5089	NPN Bipolar Transistor	2
IN, OUT	In/ Out Jack	NMJ6HCD2	2
D2, D3	Diode 1N914	High Conductance Fast Diode	2
U1	JRC4558D	Dual Op Amp DIP8	1
C8	100nF	Capacitor	1
C5	22n	Capacitor	1
C3	47n	Capacitor	1
C4	51pF	Capacitor	1
C6, C7	1uF	Capacitor	2
D4	LED1	3mm defused LED (Red)	1
DC Jack	DC Jack	2.1 mm DC Jack	1
D1	1N4001	1 Amp General Purpose Rectifier	1